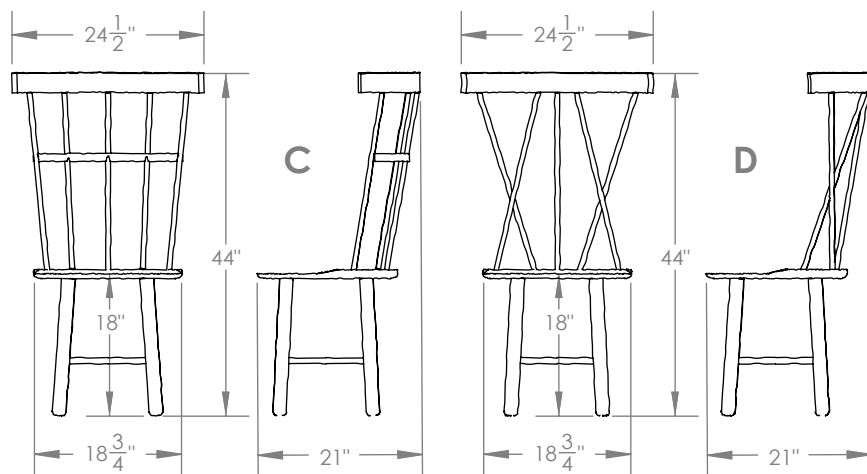
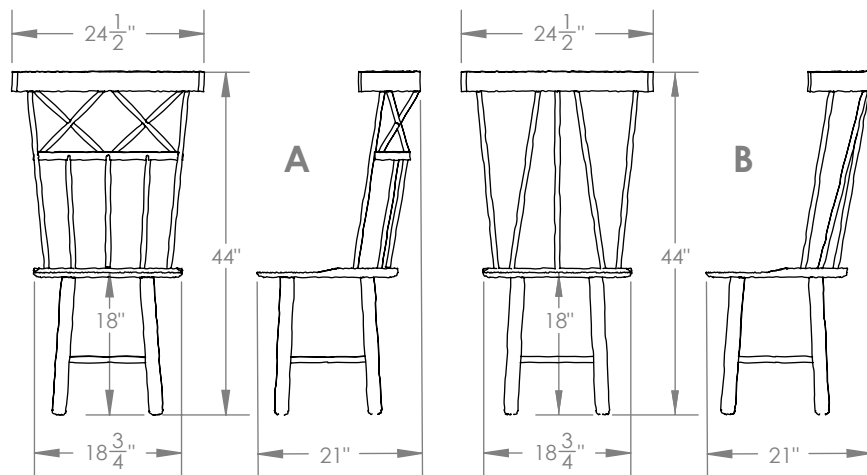


# W CHAIRS



A modern interpretation of the classic Windsor chair. Made from hard maple, each spoke and leg is meticulously hand-carved with soft organic contours.

**Materials**

Hard Maple

**Standard Finishes**

Ebony Stain  
Clear Satin Oil

**Dimensions**

24-1/2" W x 44" H x 21" D

**Notes**

When ordering, please specify shape A, B, C, or D.

**Retail**

\$3,250

**Lead Time**

8-10 Weeks

**Customization** Available - please contact us.