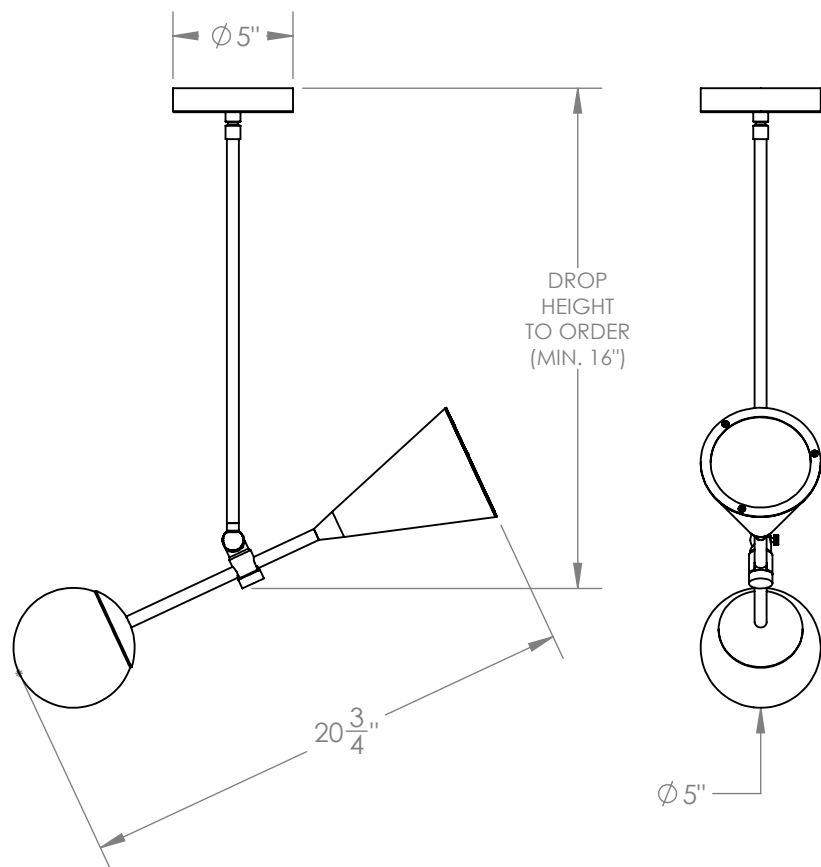


# SPEAR PENDANT LIGHT

SMALL



A conical light source at one end and a handblown matte white glass orb on the other hold this piece in balance. The central hinge mechanism allows adjustment of the fixture to any desired angle.



## Materials

Steel  
Brass

## Standard Finishes

Satin Black  
White Frosted Glass

## Dimensions

20-<sup>3</sup>/<sub>4</sub>" W x 5" D x Variable H  
Overall height to order - minimum 16"

## Notes

Lamping: 2 E12 bulbs, max 75W each. 4.5W dimmable LED bulbs included. 450 lumens each, 2700K color temperature. 120V, UL approved. (240V available)

## Retail

\$2,550

## Lead Time

8-10 Weeks

**Customization** Available - please contact us.