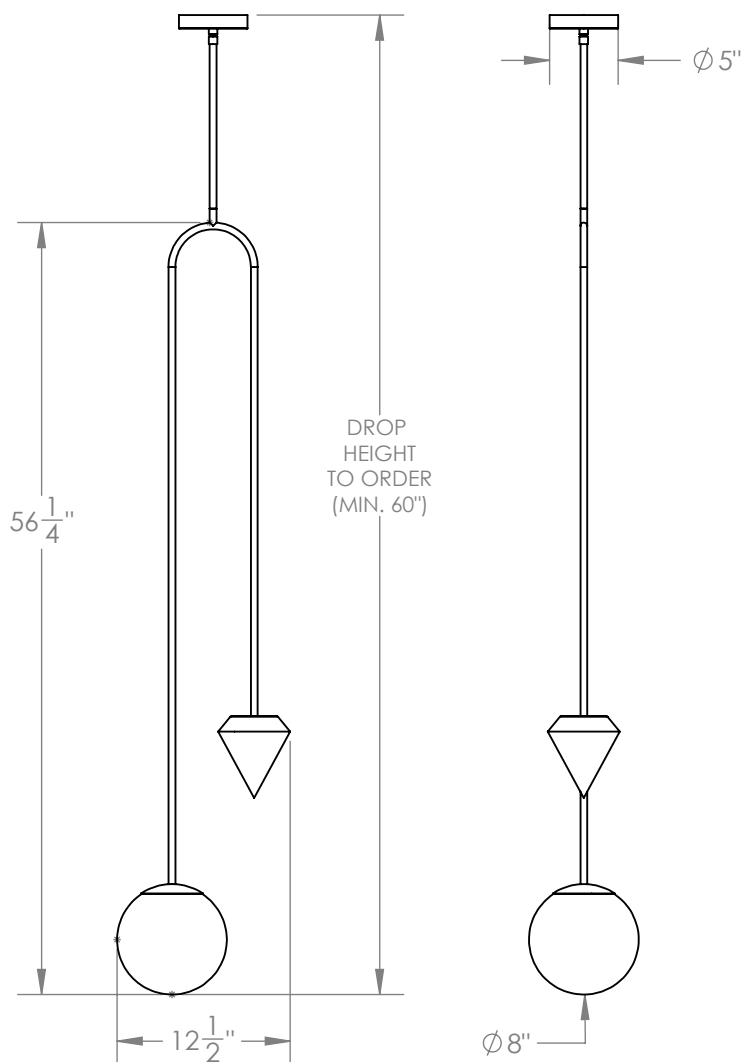


PLUMB PENDANT LIGHT

LONG



A white glass orb hangs side-by-side with our signature plumb weight, counter-balanced end points to a dramatic vertical arch.

Materials

Steel
Brass

Standard Finishes

Satin Black
Brushed Brass

Dimensions

$12\frac{1}{2}"$ W x $56\frac{1}{4}"$ H x 8" D
Overall height to order - minimum 60"

Notes

Lamping: 1 E26 bulb, max 75W. 5.5W dimmable LED bulb included. 465 lumens, 2700K color temperature. 120V, UL approved. (240V available)

Retail

\$3,825

Lead Time

8-10 Weeks

Customization

Available - please contact us.