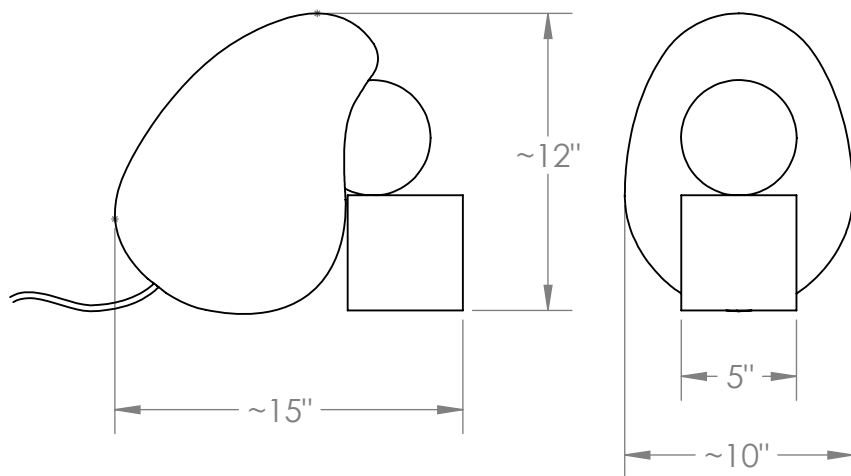


# DIMPLE LIGHT



Explores the idea of dependency and support in both an emotional and physical sense, represented in this piece by the inherent material qualities of glass, metal and marble. While the glass is still hot and in the hand blowing stage, an impression is made in the glass oviform, allowing the carved marble sphere to nestle in the resulting dimple. The assemblage rests on a metal cube with an antique brass finish.



## Materials

Glass  
Brass  
Steel

## Standard Finishes

White Frosted Glass  
Antique Brass  
Honed Marble

## Dimensions

~10" W x ~12" H x ~15" D  
Glass size varies +/-2"  
Inline dimmer: 2-3/8" x 2-3/8" x 2"

## Notes

Please inquire for current glass and marble options - selection varies.  
Lamping: 1 G9 bulb, max 75W each. 4.5W dimmable LED bulb included.  
450 lumens, 2700K color temperature.  
120V/240V. Specify voltage and plug type.  
Includes 84" cord, with inline dimmer 24" from fixture.

## Retail

\$8,675

## Lead Time

8-10 Weeks

**Customization** Available - please contact us.