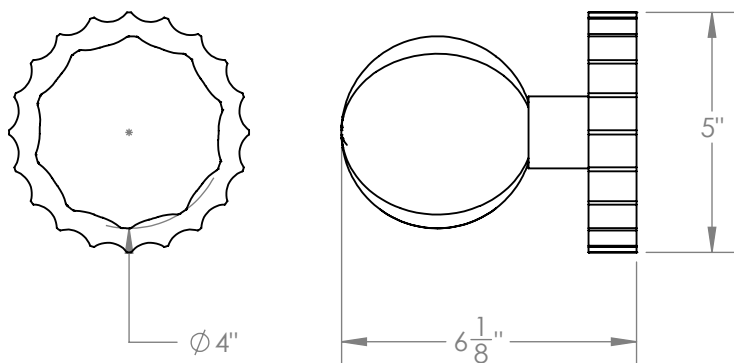


# CERAMIC SCONCE - SMALL



Composed of hand blown ridged glass, a glazed scalloped puck, and topped off with a large unglazed ceramic disc. The textural differences are picked up beautifully by the light.



## Materials

Ceramic  
Glass  
Steel

## Standard Finishes

Antique Brass  
Unglazed Ceramic  
Cream Glazed Ceramic

## Dimensions

5" W x 5" H x 6-1/8" D

## Notes

Lamping: 1 G9 bulb, max 50W each. 4.5W dimmable LED bulb included. 450 lumens, 2700K color temperature. 120V, UL approved. (240V available)

## Retail

\$1,075

## Lead Time

8 Weeks

**Customization** Available - please contact us.