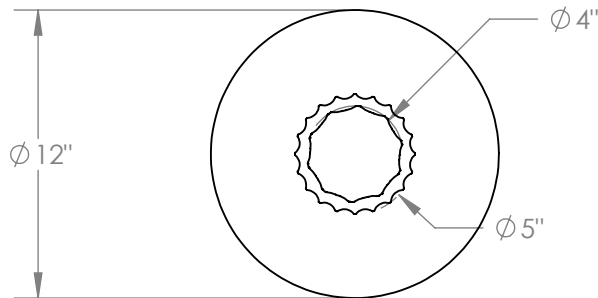
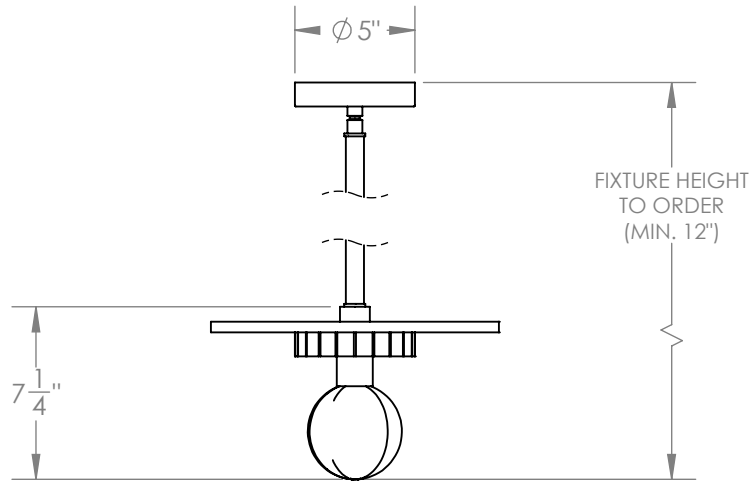


# CERAMIC PENDANT - SMALL



Composed of hand blown ridged glass, a glazed scalloped puck, and topped off with a large unglazed ceramic disc. The textural differences are picked up beautifully by the light.

### Materials

Ceramic  
Glass  
Steel

### Standard Finishes

Antique Brass  
Unglazed Ceramic  
Cream Glazed Ceramic  
White Frosted Glass

### Dimensions

12" W x 7-1/4" H x 12" D  
Overall height to order - minimum 12"

### Notes

Lamping: 1 G9 bulb, max 50W each. 4.5W dimmable LED bulb included. 450 lumens, 2700K color temperature. 120V, UL approved. (240V available)

### Retail

\$1,975

### Lead Time

8 Weeks

**Customization** Available - please contact us.