



TWIG®

SCONCE

A MODERN SOLUTION FOR DIRECTIONAL LIGHTING.

A BRASS ARMATURE AND SHADE EMIT A SOFT POOL

OF LIGHT. SOLID OR TWO-TONE.

© 2015, APPARATUS LLC
WWW.APPARATUSSTUDIO.COM/PATENTS

A P P A R A T U S

INFO@APPARATUSSTUDIO.COM / 646.527.9732

A P P A R A T U S S T U D I O . C O M

TWIG[®]

SCONCE

DIMENSIONS: 14" H, 5" W, 6" D
APPROXIMATE WEIGHT: 5 LBS

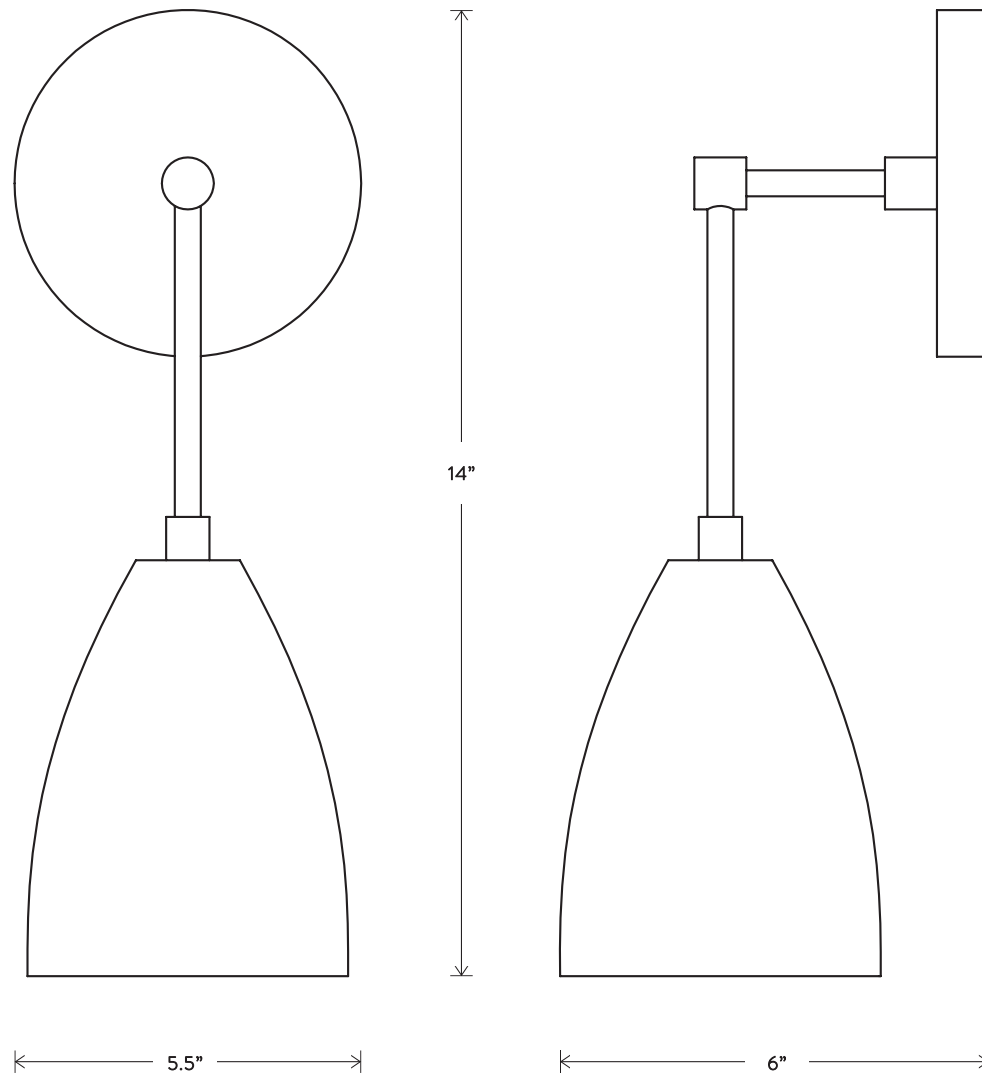
LAMPING: MAX 60W EACH
1 6W DIMMABLE LED BULB INCLUDED
480 LUMENS EACH, 2500K COLOR TEMPERATURE
BULB LIFE: 30,000 HOURS
120V: E26 GLOBE LG: MATTE WHITE, Ø 3"
240V: E27 GLOBE LG: MATTE WHITE, Ø 3"

UL / CE APPROVED
VOLTAGE: 120-240

FINISHED AND ASSEMBLED BY HAND IN NY FROM
DOMESTIC AND IMPORTED COMPONENTS.
CUSTOMIZATION AVAILABLE.
ALL PIECES MADE TO ORDER.
50% DEPOSIT REQUIRED.
BALANCE DUE PRIOR TO SHIPPING.
LEAD TIME APPROXIMATELY 8-10 WEEKS.

\$1400
FINISHES TO ORDER
ADD 30% FOR TARNISHED SILVER

© 2015, APPARATUS LLC
WWW.APPARATUSSTUDIO.COM/PATENTS



A P P A R A T U S

INFO@APPARATUSSTUDIO.COM / 646.527.9732

A P P A R A T U S S T U D I O . C O M