



TWIG® 1

A MODERN SOLUTION FOR ADJUSTABLE LIGHTING. ARTICULATING ELBOWS AND BRASS SHADES CREATE A SOPHISTICATED ARMATURE THAT EMITS SOFT POOLS OF LIGHT. SOLID OR TWO-TONE.

© 2013, APPARATUS LLC
WWW.APPARATUSSTUDIO.COM/PATENTS

A P P A R A T U S

INFO@APPARATUSSTUDIO.COM / 646.527.9732

A P P A R A T U S S T U D I O . C O M

TWIG[®] 1

DIMENSIONS: 24" H

APPROXIMATE WEIGHT: 5 LBS

LAMPING: MAX 60W EACH

1 6W DIMMABLE LED BULB INCLUDED

480 LUMENS EACH, 2500K COLOR TEMPERATURE

BULB LIFE: 30,000 HOURS

120V: E26 GLOBE LG: MATTE WHITE, Ø 3"

240V: E27 GLOBE LG: MATTE WHITE, Ø 3"

UL / CE APPROVED

VOLTAGE: 120-240

FINISHED AND ASSEMBLED BY HAND IN NY FROM
DOMESTIC AND IMPORTED COMPONENTS.

CUSTOMIZATION AVAILABLE.

ALL PIECES MADE TO ORDER.

50% DEPOSIT REQUIRED.

BALANCE DUE PRIOR TO SHIPPING.

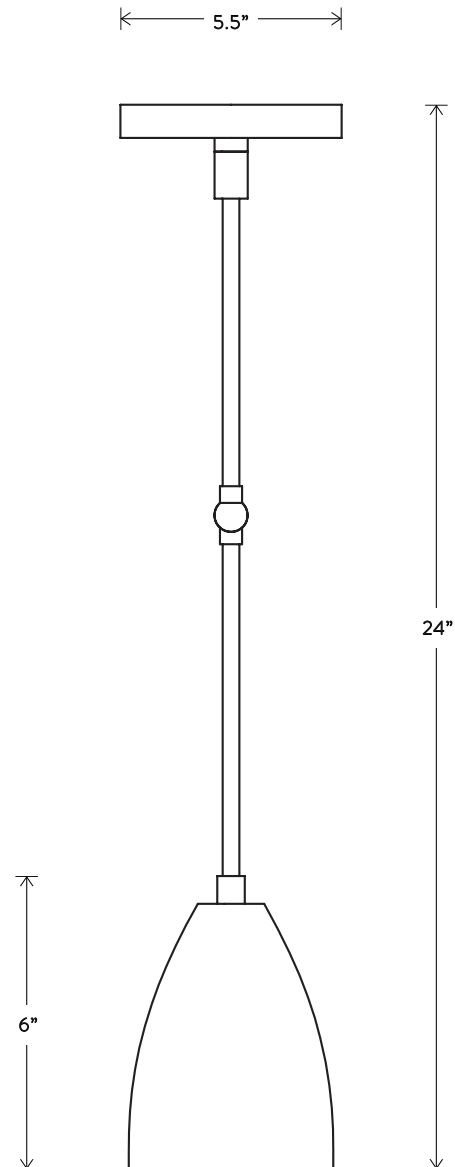
LEAD TIME APPROXIMATELY 8-10 WEEKS.

\$1450

FINISHES TO ORDER

ADD 30% FOR TARNISHED SILVER

© 2013, APPARATUS LLC
WWW.APPARATUSSTUDIO.COM/PATENTS



A P P A R A T U S

INFO@APPARATUSSTUDIO.COM / 646.527.9732

A P P A R A T U S S T U D I O . C O M