

## MEDIAN®

TABLE LAMP

THE TRANSLUCENT ALABASTER PLANES OF THE MEDIAN SERIES ARE INTERSECTED BY A FLUTED BRASS FORM, REFERENCING TRADITIONAL MIDDLE EASTERN JEWELRY WHILE PUSHING IT THROUGH A FUTURIST LENS. THE STONE GLOWS FROM A LIGHT SOURCE THAT REMAINS HIDDEN, ILLUMINATING THE RELATIONSHIP BETWEEN THE SOLID AND THE PERMEABLE.

© 2018, APPARATUS LLC  
[WWW.APPARATUSSTUDIO.COM/PATENTS](http://WWW.APPARATUSSTUDIO.COM/PATENTS)

# A P P A R A T U S

INFO@APPARATUSSTUDIO.COM / 646.527.9732

A P P A R A T U S S T U D I O . C O M

# MEDIAN<sup>®</sup>

TABLE LAMP

DIMENSIONS: 16" H, Ø 11"

LAMPING: 2 8W DIMMABLE LED MODULE  
800 LUMENS EACH, 2500K COLOR TEMPERATURE  
LED ONBOARD DRIVER  
LED LIFE: 50,000 HOURS

UL / CE APPROVED  
VOLTAGE: 120-240

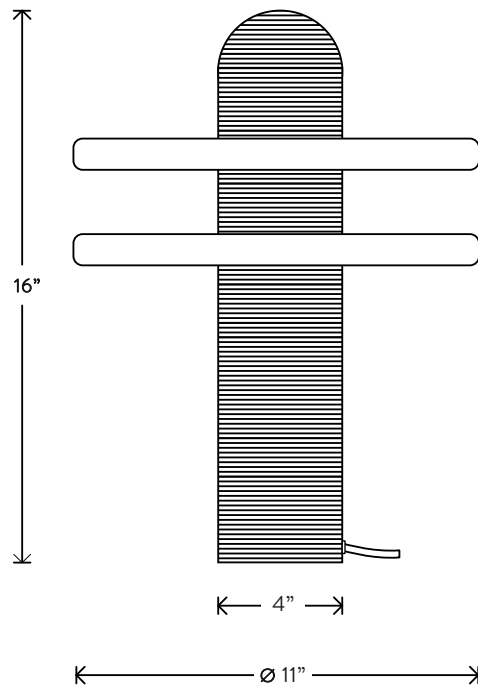
FINISHED AND ASSEMBLED BY HAND IN NY FROM  
DOMESTIC AND IMPORTED COMPONENTS.  
CUSTOMIZATION AVAILABLE.  
ALL PIECES MADE TO ORDER.  
50% DEPOSIT REQUIRED.  
BALANCE DUE PRIOR TO SHIPPING.  
LEAD TIME APPROXIMATELY 8-10 WEEKS.

\$4100

FINISHES TO ORDER

ADD 30% FOR TARNISHED SILVER

© 2018, APPARATUS LLC  
PATENT PENDING / TRADEMARK PENDING  
WWW.APPARATUSSTUDIO.COM/PATENTS



# A P P A R A T U S

INFO@APPARATUSSTUDIO.COM / 646.527.9732

A P P A R A T U S S T U D I O . C O M