

MEDIAN®

SCONCE

THE TRANSLUCENT ALABASTER PLANES OF THE MEDIAN SERIES ARE INTERSECTED BY A FLUTED BRASS FORM, REFERENCING TRADITIONAL MIDDLE EASTERN JEWELRY WHILE PUSHING IT THROUGH A FUTURIST LENS. THE STONE GLOWS FROM A LIGHT SOURCE THAT REMAINS HIDDEN, ILLUMINATING THE RELATIONSHIP BETWEEN THE SOLID AND THE PERMEABLE.

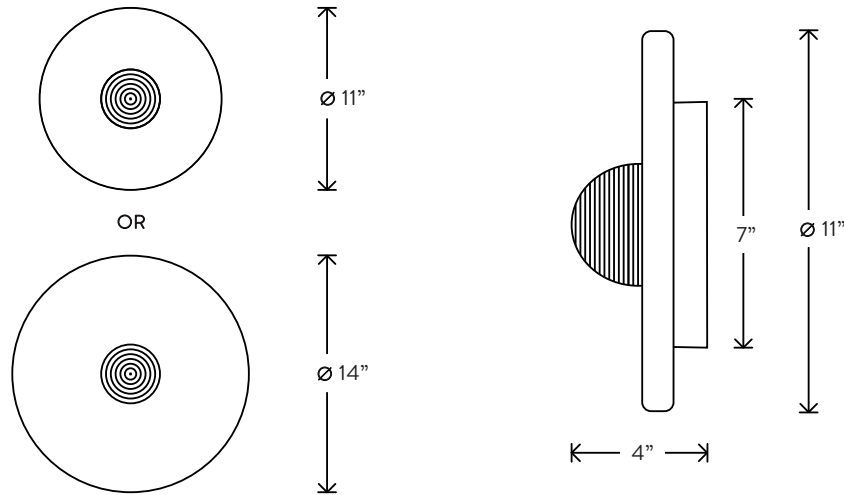
© 2018, APPARATUS LLC
WWW.APPARATUSSTUDIO.COM/PATENTS

A P P A R A T U S

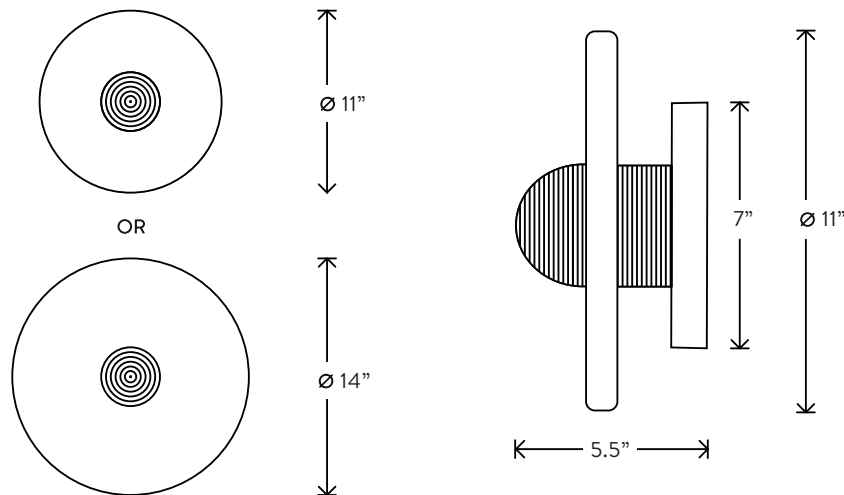
INFO@APPARATUSSTUDIO.COM / 646.527.9732

A P P A R A T U S S T U D I O . C O M

4" DEPTH



5.5" DEPTH



4" DEPTH: Ø 11" OR 14"
 5.5" DEPTH: Ø 11" OR 14"
 APPROXIMATE WEIGHTS:
 10 LBS / 11" DIAMETER, 4" DEPTH
 15 LBS / 14" DIAMETER, 4" DEPTH
 10 LBS / 11" DIAMETER, 5.5" DEPTH
 15 LBS / 14" DIAMETER, 5.5" DEPTH

LAMPING: 8W DIMMABLE LED MODULE
 800 LUMENS, 2500K COLOR TEMPERATURE
 LED ONBOARD DRIVER
 LED LIFE: 50,000 HOURS

UL / CE APPROVED
 VOLTAGE: 120-240

FINISHED AND ASSEMBLED BY HAND IN NY FROM
 DOMESTIC AND IMPORTED COMPONENTS.
 CUSTOMIZATION AVAILABLE.
 ALL PIECES MADE TO ORDER.
 50% DEPOSIT REQUIRED.
 BALANCE DUE PRIOR TO SHIPPING.
 LEAD TIME APPROXIMATELY 8-10 WEEKS.

\$2500 / 11" DIAMETER, 4" DEPTH
 \$2900 / 14" DIAMETER, 4" DEPTH
 \$2700 / 11" DIAMETER, 5.5" DEPTH
 \$3100 / 14" DIAMETER, 5.5" DEPTH
 FINISHES TO ORDER
 ADD 30% FOR TARNISHED SILVER

© 2018, APPARATUS LLC
 PATENT PENDING / TRADEMARK PENDING
 WWW.APPARATUSSTUDIO.COM/PATENTS