



LINK PORCELAIN™ QUAD-LIGHT

CREATED IN COLLABORATION WITH CERAMICIST ALICE GOLDSMITH, THE LINK PORCELAIN PENDANT EXAMINES BOTH THE STRENGTH AND VULNERABILITY OF THE ARTIST'S PORCELAIN CHAIN. FRACTURED LINKS SUSPEND OVERSIZED BRASS SHADES, THEIR FRAGILITY ANCHORED AND PROTECTED BY THE OPPOSITIONAL METAL. HANDMADE PORCELAIN LINKS WITH SPUN BRASS SHADE AND WOVEN BRASS MESH CORD.

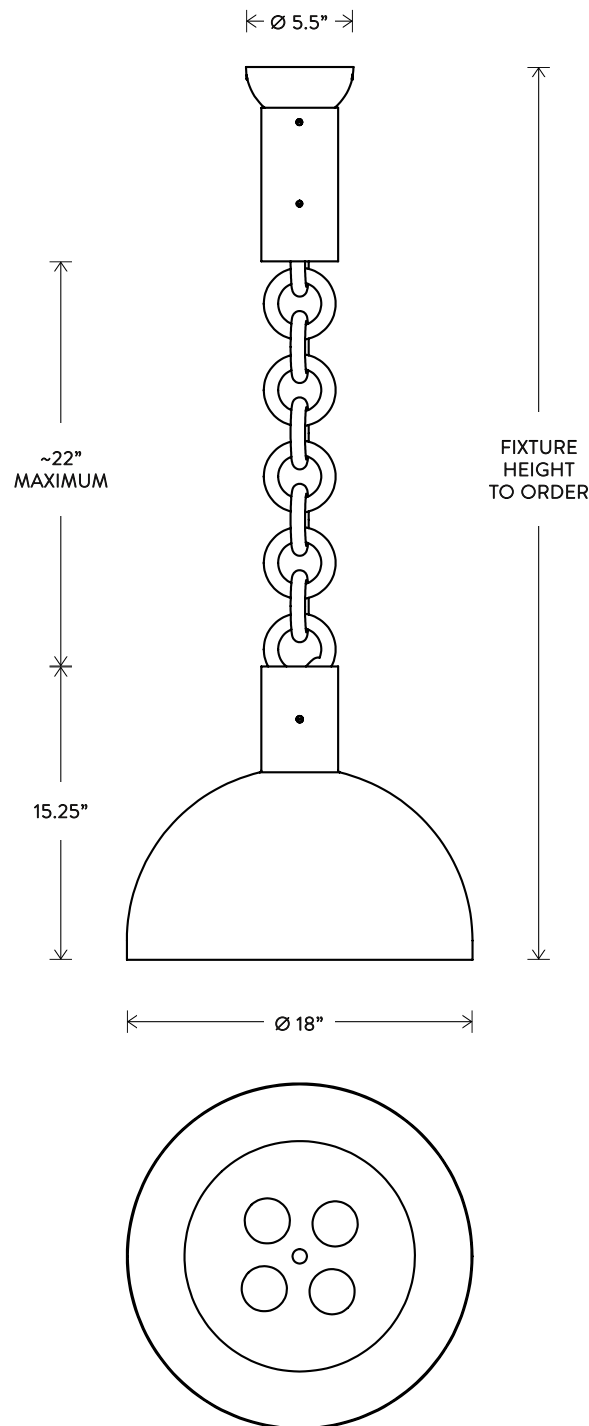
© 2015, APPARATUS LLC
WWW.APPARATUSSTUDIO.COM/PATENTS

A P P A R A T U S

INFO@APPARATUSSTUDIO.COM / 646.527.9732

A P P A R A T U S S T U D I O . C O M

LINK PORCELAIN™ QUAD-LIGHT



DIMENSIONS: $\varnothing 18"$
HEIGHT TO ORDER
INCLUDES UP TO 60"
ADDITIONAL HEIGHT \$20 PER INCH
MINIMUM HEIGHT: 33"
MAXIMUM HEIGHT: 106"
APPROXIMATE WEIGHT: 30 LBS

LAMPING: MAX 60W EACH
4 3W DIMMABLE LED BULBS INCLUDED
240 LUMENS EACH, 2500K COLOR TEMPERATURE
BULB LIFE: 30,000 HOURS
120V: E26 GLOBE M: MATTE WHITE, $\varnothing 1.75"$
240V: E27 GLOBE M: MATTE WHITE, $\varnothing 1.75"$

UL / CE APPROVED
VOLTAGE: 120-240

FINISHED AND ASSEMBLED BY HAND IN NY FROM
DOMESTIC AND IMPORTED COMPONENTS.
CUSTOMIZATION AVAILABLE.
ALL PIECES MADE TO ORDER.
50% DEPOSIT REQUIRED.
BALANCE DUE PRIOR TO SHIPPING.
LEAD TIME APPROXIMATELY 8-10 WEEKS.

\$9400
FINISHES TO ORDER
ADD 30% FOR TARNISHED SILVER

© 2015, APPARATUS LLC
WWW.APPARATUSSTUDIO.COM/PATENTS

A P P A R A T U S

INFO@APPARATUSSTUDIO.COM / 646.527.9732

A P P A R A T U S S T U D I O . C O M