



LANTERN™ 3

PENDANT

THE SLIP-CAST PORCELAIN FORMS OF THE LANTERN SERIES FLOAT ALONG A RIGID BRASS STRUCTURE. THEIR GLOW IS PUNCTUATED BY FINELY INCISED FLUTING, CONNECTING TO THE MOST ESSENTIAL ELEMENT OF HISTORICAL LANTERNS - LIGHT PASSING THROUGH A DELICATE PROTECTIVE FORM. REPEATING SPHERES ACT AS A COUNTERPOINT TO THE SIZEABLE SHADES.

© 2017, APPARATUS LLC, REGISTERED DESIGN.
WWW.APPARATUSSTUDIO.COM/PATENTS

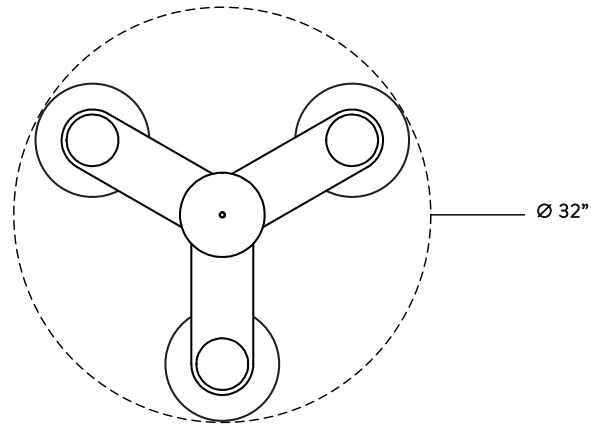
A P P A R A T U S

INFO@APPARATUSSTUDIO.COM / 646.527.9732

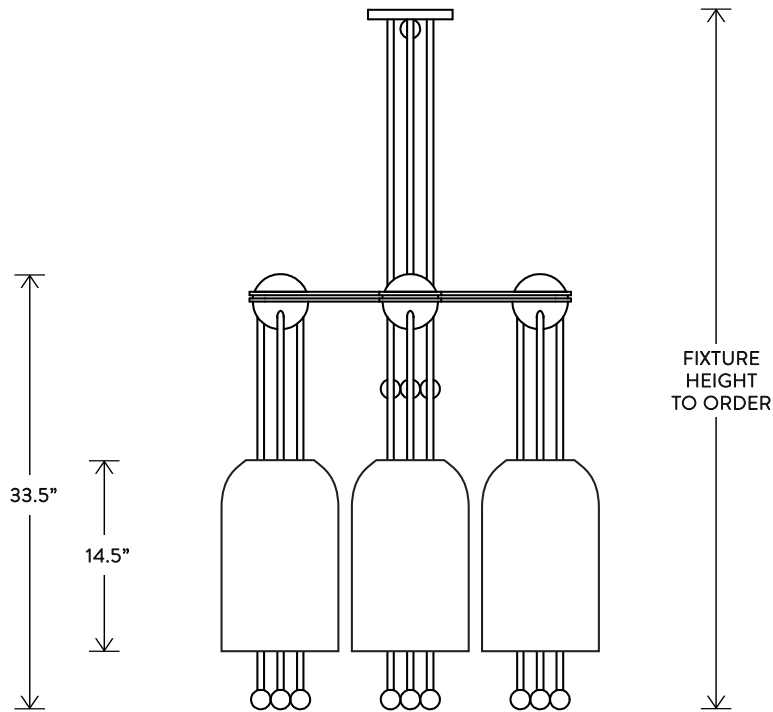
A P P A R A T U S S T U D I O . C O M

LANTERN™ 3

PENDANT



6.5"



33.5"

14.5"

FIXTURE
HEIGHT
TO ORDER

DIMENSIONS: Ø 32"
WEIGHT: APPROX. 100 LBS
HEIGHT TO ORDER
MINIMUM HEIGHT: 44"
INCLUDES UP TO 85"
ADDITIONAL HEIGHT \$30 PER INCH
APPROXIMATE WEIGHT: 100 LBS

LAMPING: MAX 60W EACH
9 DIMMABLE LED BULBS INCLUDED
120V: E12 TYPE A26 BULBS, 4.6W
240V: E14 TYPE B40 BULBS, 8W

UL / CE APPROVED
VOLTAGE: 120-240

FINISHED AND ASSEMBLED BY HAND IN NY FROM
DOMESTIC AND IMPORTED COMPONENTS.
CUSTOMIZATION AVAILABLE.
ALL PIECES MADE TO ORDER.
50% DEPOSIT REQUIRED.
BALANCE DUE PRIOR TO SHIPPING.
LEAD TIME APPROXIMATELY 8-10 WEEKS.

\$27000
FINISHES TO ORDER
ADD 30% FOR TARNISHED SILVER

© 2017, APPARATUS LLC, REGISTERED DESIGN.
WWW.APPARATUSSTUDIO.COM/PATENTS

A P P A R A T U S

INFO@APPARATUSSTUDIO.COM / 646.527.9732

A P P A R A T U S S T U D I O . C O M