



## CYLINDER®

UPLIGHT

THE CYLINDER SERIES IS A SYSTEM OF FIXTURES THAT ELEVATE THE EXPERIENCE OF FUNCTIONAL LIGHTING. A WEIGHTY BASE ANCHORS THE ADJUSTABLE PIVOTING HEAD TO CAST LIGHT UPWARDS. BRASS TURN-DIMMER KNOB AND WOVEN FABRIC CORD.

© 2015, APPARATUS LLC  
WWW.APPARATUSSTUDIO.COM/PATENTS

# A P P A R A T U S

INFO@APPARATUSSTUDIO.COM / 646.527.9732

A P P A R A T U S S T U D I O . C O M

# CYLINDER®

UPLIGHT

DIMENSIONS: 11.5" H, Ø 4.25"

120 V LAMPING:

1 DIMMABLE LED PAR20 BULB 10W EACH  
10W BULB INCLUDED

240V LAMPING:

1 DIMMABLE LED PAR20 BULB 5W EACH  
5W BULB INCLUDED

UL APPROVED

VOLTAGE: 120-240

FINISHED AND ASSEMBLED BY HAND IN NY FROM  
DOMESTIC AND IMPORTED COMPONENTS.

CUSTOMIZATION AVAILABLE.

ALL PIECES MADE TO ORDER.

50% DEPOSIT REQUIRED.

BALANCE DUE PRIOR TO SHIPPING.

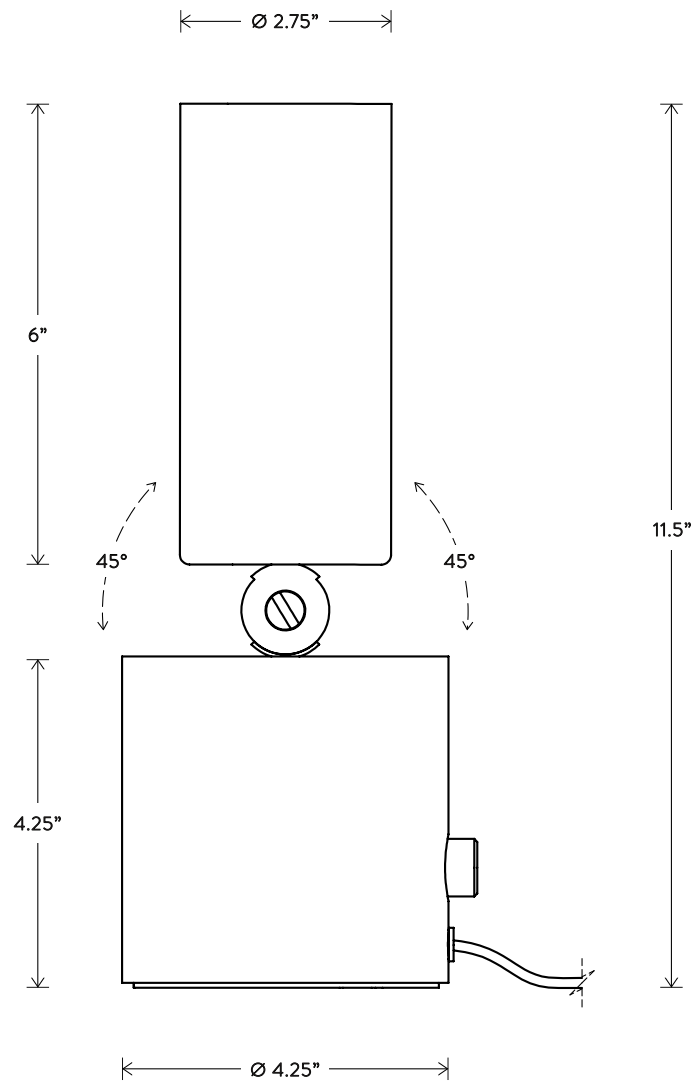
LEAD TIME APPROXIMATELY 8-10 WEEKS.

\$1400

FINISHES TO ORDER

ADD 30% FOR TARNISHED SILVER

© 2015, APPARATUS LLC  
[WWW.APPARATUSSTUDIO.COM/PATENTS](http://WWW.APPARATUSSTUDIO.COM/PATENTS)



# A P P A R A T U S

INFO@APPARATUSSTUDIO.COM / 646.527.9732

A P P A R A T U S S T U D I O . C O M