



CYLINDER®

SCONCE

THE CYLINDER SERIES IS A SYSTEM OF FIXTURES THAT ELEVATE THE EXPERIENCE OF FUNCTIONAL LIGHTING. AN ADJUSTABLE HEAD EXTEND FROM AN ELEGANT ARMATURE TO PROVIDE FUNCTIONAL LIGHT.

© 2015, APPARATUS LLC
WWW.APPARATUSSTUDIO.COM/PATENTS

A P P A R A T U S

INFO@APPARATUSSTUDIO.COM / 646.527.9732

A P P A R A T U S S T U D I O . C O M

CYLINDER®

SCONCE

DIMENSIONS: 9" H, 5.5" W, 6" D
APPROXIMATE WEIGHT: 5 LBS

120 V LAMPING:
1 DIMMABLE LED PAR20 BULB 10W EACH
10W BULB INCLUDED

240V LAMPING:
1 DIMMABLE LED PAR20 BULB 5W EACH
5W BULB INCLUDED

UL / CE APPROVED
VOLTAGE: 120-240

FINISHED AND ASSEMBLED BY HAND IN NY FROM
DOMESTIC AND IMPORTED COMPONENTS.
CUSTOMIZATION AVAILABLE.
ALL PIECES MADE TO ORDER.
50% DEPOSIT REQUIRED.
BALANCE DUE PRIOR TO SHIPPING.
LEAD TIME APPROXIMATELY 8-10 WEEKS.

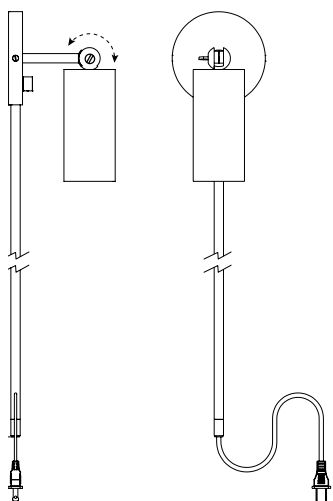
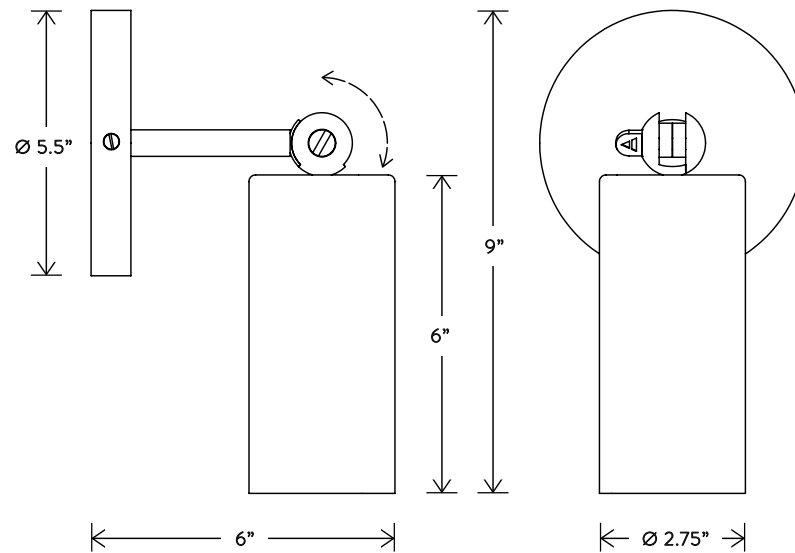
\$1200
\$1450 WITH EXTERNAL MOUNT KIT
FINISHES TO ORDER
ADD 30% FOR TARNISHED SILVER

© 2015, APPARATUS LLC
WWW.APPARATUSSTUDIO.COM/PATENTS

A P P A R A T U S

INFO@APPARATUSSTUDIO.COM / 646.527.9732

A P P A R A T U S S T U D I O . C O M



EXTERNAL MOUNT KIT INCLUDES
60" OF STEM